

Specification sheet LX 480

Siphonic Scupper drains

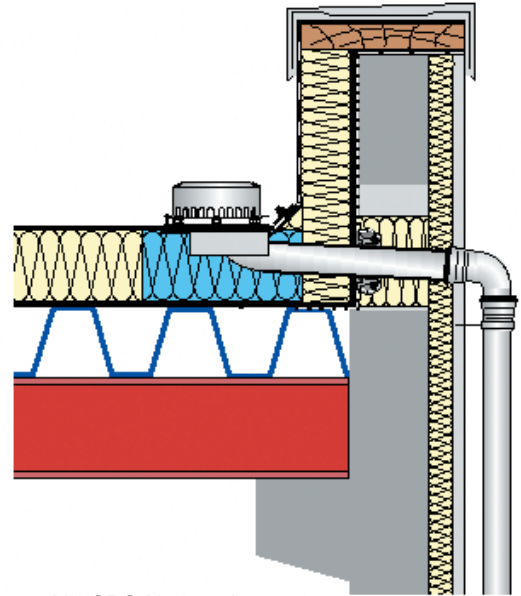
Series 79/88 RAINSTAR[®]

Main drainage

Siphonic flow

Silent Power

Discharge rate:	16,2 l/sec
Water height:	55 mm
Roof penetration:	106 mm
Diameter:	DN 100
LX-Number:	LX 480
Weir height:	0 mm
Drain:	not ventilated
Downpipe:	not ventilated
Downpipe height:	min 4,2 m
Drainage:	in sewer
Flange form:	Clamping flange

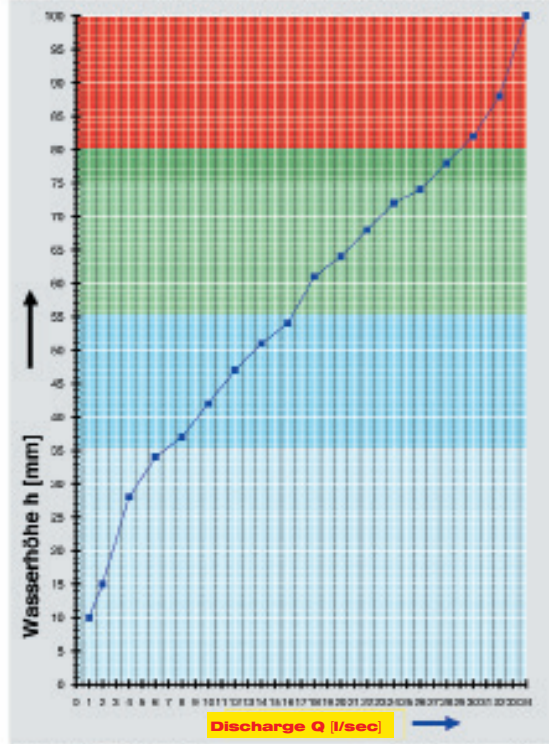


LX 480 Piece list

- 1 x Art.-No. 01401.100X, LORO-X pipe with one socket
- 1 x Art.-No. 00300.100X, LORO-X bend
- 1 x Art.-No. 01001.100X, LORO-X pipe with one socket
- 1 x Art.-No. 05510.100X, LORO-X stand pipe
- 4 x Art.-No. 00911.100X, LORO-X sealing elements

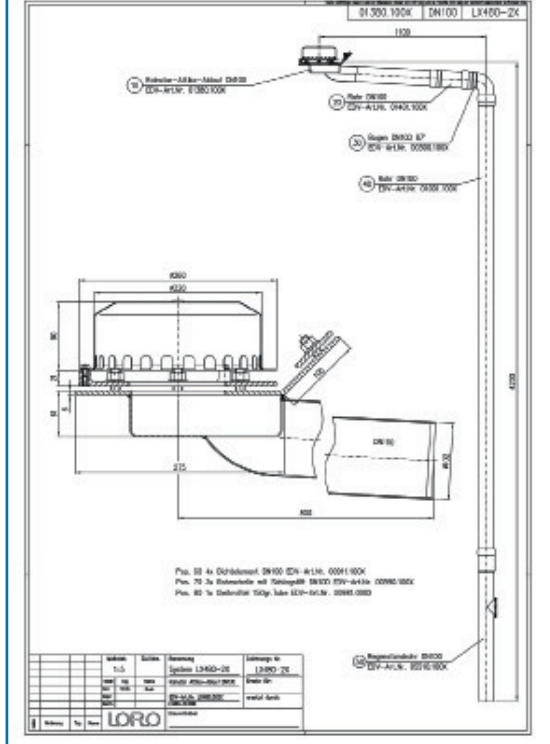
- 3 x Art.-No. 00975.100X, LORO-X pipe clips
- 1 x Art.-No. 00986.000X, LORO-X lubricant
- 1 x Art.-No. 13235.100X, LORO-X sliding flange
- 3 x Art.-No. 00806.100X, LORO-X anchor clips
- 3 x Art.-No. 09604.200X, LORO-X hanger bolts

hQ - Head-Discharge curve



Systempower

CAD



Systemshape

Water height	mm	5	10	15	20	25	30	35	40	45	50	55	60	65	70	75
Discharge	l/sec		1,0	2,0	3,0	4,0	4,5	6,0	9,5	11,0	14,0	16,2	18,0	20,0	23,0	26,0
			Silent			Silent Power										

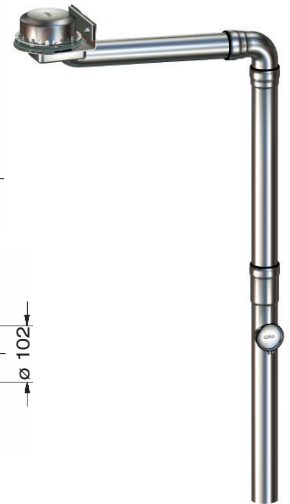
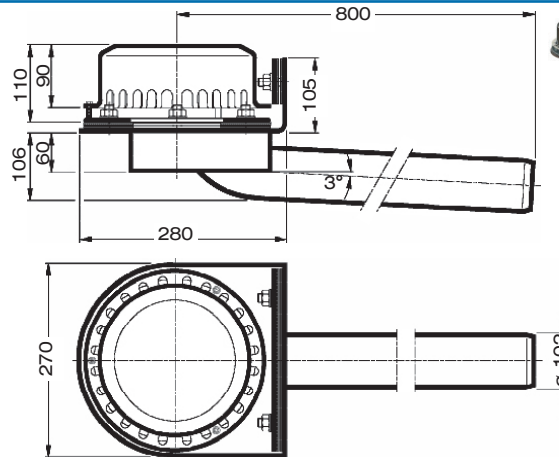
Choose drain for piece list on page one!

DN 100

LX480-1X

Drain Art.-No. 01382.100X
Weight: 6,7 kg

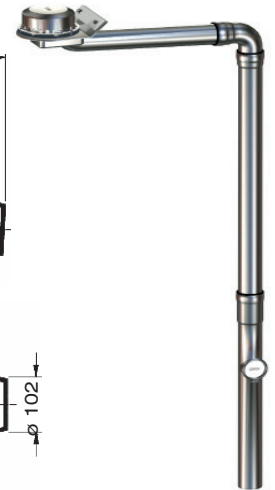
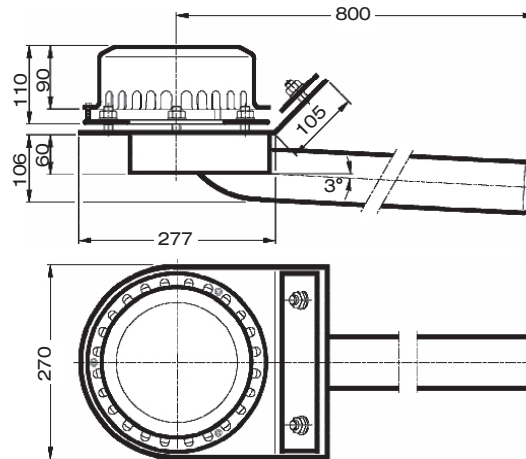
Series 79 (RC)
clamping flange 90°
for plastic roofing sheets



LX480-2X

Drain Art.-No. 01380.100X
Weight: 6,7 kg

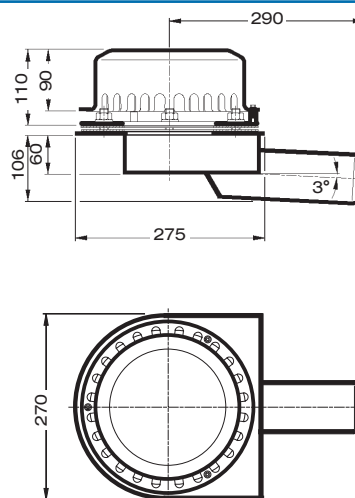
Series 79 (RC)
clamping flange 45°
for bituminous roofing sheets



LX480-4X

Drain Art.-No. 01392.100X
Weight: 4,4 kg

Series 88
clamping flange
without raised edge
for bituminous and plastic roofing sheets



Please note:

For drainage systems with siphonic flow it is vital that only LORO-X pipes and fittings in the combination as indicated are used. Mixture or exchange of system parts may result in lower discharge capacities! The height of the downpipe must be a min. 4.2m for the indicated capacity to be obtained. If roof drain and downpipe are fitted by different crews, then do follow the system setup acc. to the LX-data sheet at www.loro-x.com

Heat tracing: Lorowerk recommends to check all drains and pipes with regard to their frost-sensibility. Where necessary, these parts should be upgraded with heat tracing.